



5000 psi 316 stainless steel & Alloy 400 ball valve

PRESSURE RATING CHART

Temperature	Stainless steel 316	Temperature	Monel Alloy 400
93 Degree C	5000 PSI (344) / PEEK	37 Degree C	5000 PSI (344)/ PCTFE, Nylon, PEEK

5000 psi Monel 400 ball valve

TECHNICAL DATA



Seat Material	Temperature Rating °F (°C)	Flow Coefficient (C _v)
PCTFE, reinforced nylon	0 to 250 (-17 to 121)	2-way valves— 1.0 to 1.6 depending on end connection; 3-way valves— 0.75
PEEK	0 to 450 (-17 to 232)	
PTFE		

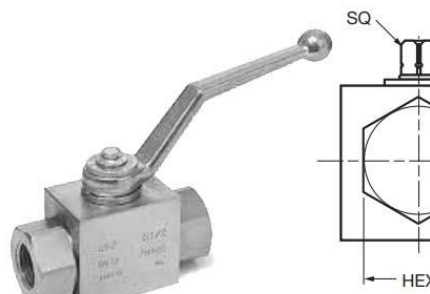
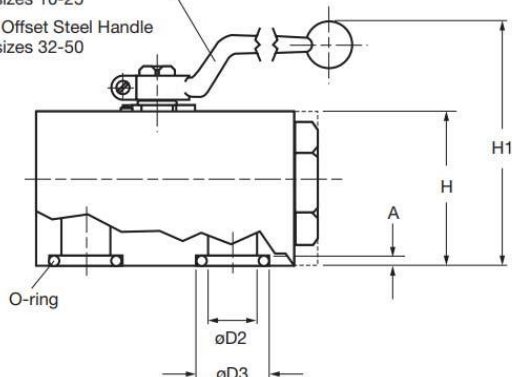
Pressure Rating at 100°F (37°C) psig (bar)

5000 psi high pressure ball valve

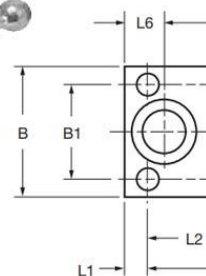
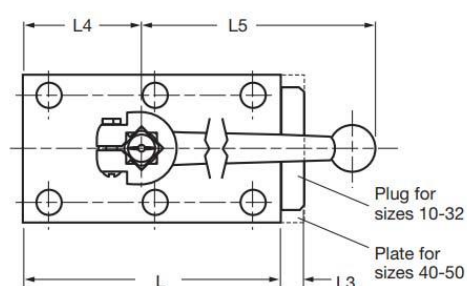
DIMENSIONS AND WEIGHT



12x Offset Aluminum Handle
for sizes 10-25
16x Offset Steel Handle
for sizes 32-50



5000 PSI BALL VALVE	Max. psi*	A	B	B1	ø D	ø D1	ø D2	ø D3	HEX	H	H1	O
	5000	0.08 (2)	2.17 (55)	1.575 (40)	0.35 (9)	0.55 (14)	0.374 (9.5)	0.591 (15)	1 3/16 (30)	1.77 (45)	3.58 (91)	10
	5000	0.08 (2)	2.36 (60)	1.772 (45)	0.35 (9)	0.55 (14)	0.630 (16)	0.984 (25)	1 7/16 (36)	2.17 (55)	4.45 (113)	20
	5000	0.12 (3)	2.76 (70)	2.008 (51)	0.41 (10.5)	0.65 (16.5)	0.787 (20)	1.181 (30)	1 5/8 (41)	2.76 (70)	5.16 (131)	23
	5000	0.12 (3)	3.15 (80)	2.362 (60)	0.41 (10.5)	0.65 (17)	0.925 (23.5)	1.378 (35)	2 (50)	3.15 (80)	5.55 (141)	28
	5000	0.12 (3)	3.94 (100)	3.071 (78)	0.51 (13)	0.75 (19)	1.260 (32)	1.551 (39.4)	2 9/16 (65)	3.94 (100)	8.07 (205)	32
	5000	0.12 (3)	5.12 (130)	3.740 (95)	0.69 (17.5)	1.02 (26)	1.496 (38)	1.906 (48.4)	-	3.94 (100)	8.07 (205)	42
	5000	0.12 (3)	5.91 (150)	4.409 (112)	0.87 (22)	1.30 (33)	1.89 (48)	2.181 (55.4)	-	4.33 (110)	8.46 (215)	48



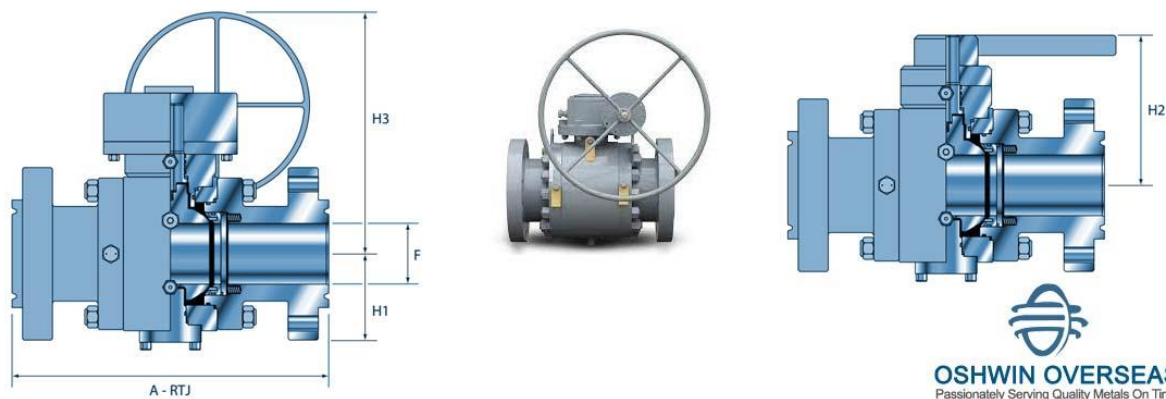
5000 PSI BALL VALVE	L	L1	L2	L3	L4	L5	L6	L7	L8	S	SQ	Bo
	2.76 (70)	0.295 (7.5)	1.083 (27.5)	0.39 (10)	1.14 (29)	5.51 (140)	0.394 (10)	1.732 (44)	2.165 (55)	1.42 (36)	0.35 (9)	5/16 UNF
	3.94 (100)	0.335 (8.5)	1.634 (41.5)	0.39 (10)	1.73 (44)	6.42 (163)	0.669 (17)	2.284 (58)	3.268 (83)	1.81 (46)	0.47 (12)	5/8 UNC
	4.61 (117)	0.394 (10)	1.909 (48.5)	0.39 (10)	2.01 (51)	7.20 (183)	0.787 (20)	2.717 (69)	3.819 (97)	2.34 (59.5)	0.55 (14)	3/4 UNF
	5.32 (135)	0.394 (10)	2.264 (57.5)	0.39 (10)	2.44 (62)	7.20 (183)	0.945 (24)	3.189 (81)	4.528 (115)	2.72 (69)	0.55 (14)	3/4 UNC
	6.50 (165)	0.472 (12)	2.677 (68)	0.43 (11)	2.95 (75)	12.00 (305)	1.142 (29)	3.780 (96)	5.354 (136)	3.31 (84)	0.67 (17)	7/8 UNF
	7.09 (180)	1.122 (28.5)	2.205 (56)	0.98 (25)	3.33 (84.6)	12.00 (305)	1.122 (28.5)	4.409 (112)	4.409 (112)	3.25 (82.5)	0.67 (17)	5/8 UNC
	8.66 (220)	1.496 (38)	2.677 (68)	0.98 (25)	4.17 (106)	12.00 (305)	1.496 (38)	5.354 (136)	5.354 (136)	3.48 (88.5)	0.67 (17)	3/4 UNC

NOTE: Dimensions are in inches (mm) and weight lbs (kg)



5000 PSI 3-piece trunnion ball valve

DIMENSIONS AND WEIGHT



NPS	2-1/16	2.09	14.625	6.50	4.44	8.90	119
NPS	2-9/16	2.59	18.625	7.28	5.22	9.68	170
NPS	3-1/8	3.22	18.625	8.69	5.56	11.09	240
NPS	4-1/16	4.28	21.625	9.56	6.50	11.96	420
NPS	7-1/16	5.16	28.00	12.19	8.69	14.59	1190
NPS	9	7.16	33.125	14.80	10.38	17.20	1936
NPS	11	11.03	39.375	16.63	12.13	19.78	3420
NPS	13-5/8	13.66	45.125	18.69	13.88	21.84	5120

5000 PSI Stainless Steel Ball Valve Pressure Rating:

- 1/4"–2": 1000 psi WOG
- 2-1/2"–4": 800 psi WOG

5000 Psi SS Ball Valve Temperature Range:

- –50°F to +450°F
- –46°C to +232°C

5000 PSI Ball Valve Specifications:

(Threaded ends)

5000 WOG

Size :1/4" to 1-1/2": Full Port, 2": Standard Port

Info: Gasket is placed ahead of the body cap threads.

Basic designed: complies with ANSI B16.34 & EN 12516-1.

Test: API 598.

Types of 5000 PSI Ball Valves



5000 Psi Ball Valve



5000 Psi 3 Way Ball Valve



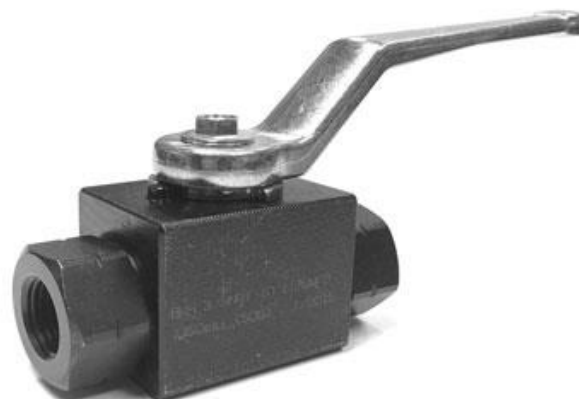
5000 Psi Threaded Ball Valves



5000 Psi Hydraulic Manual Ball Valves



NPT Ball Valve 5000 PSI



FPT High Pressure 3-Way Ball Valve
5000 PSI