

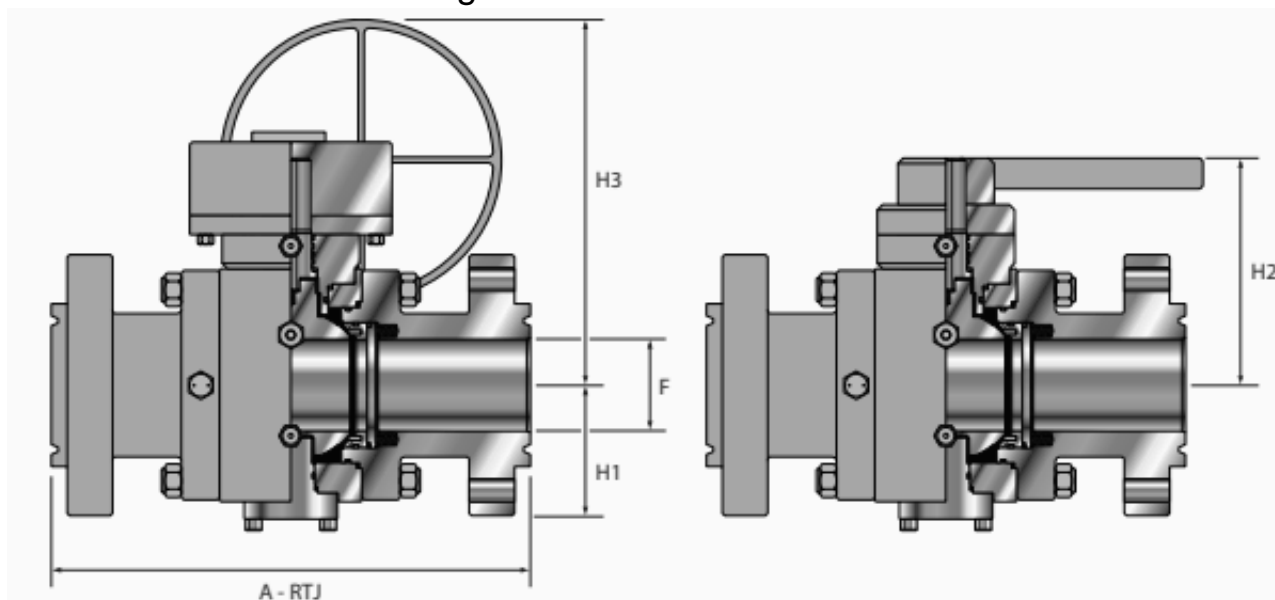


3000 PSI Ball Valve :

3000 PSI Ball Valve Specifications :

- Threaded ends
- 6000 WOG
- 1/4" to 1-1/2": Full Port, 2": Standard Port
- Gasket is placed ahead of the body cap threads, providing a tight seal and protection of threads from flow media.
- Vented ball equalizes pressure between the body cavity and the flow stream to prevent seat damage due to thermal cycling.
- Basic design complies with ANSI B16.34 & EN 12516-1. NPT threaded ends complies with ANSI B 1.20.1.
- Rc, Rp & G Threaded ends complies with BS 21/2779, JIS B-0203/0202, DIN 259/2999, ISO 228-1, AS1722.1/1722.2 are upon request.
- Threaded ends that comply with BS 21/2779, JIS B-0203/0202, DIN 259/2999, ISO 228-1, AS1722.1/1722.2 are available upon request.
- Tested according to API 598.

3000# Ball Valve Pressure Rating :



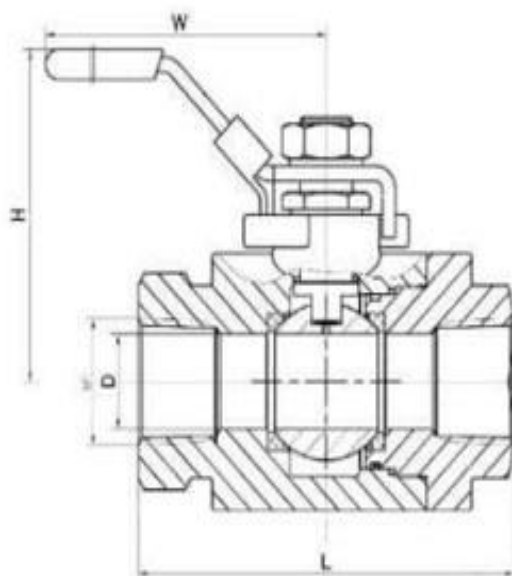
3000 PSI	NPS							
	NPS	2-1/16	2.09	14.625	4.44	7.28	10.90	119
	NPS	2-9/16	2.59	15.125	5.22	8.06	11.64	139
	NPS	3-1/8	3.22	15.125	5.56	9.47	13.05	178
	NPS	4-1/16	4.28	18.125	6.50	10.34	13.92	319
	NPS	7-1/16	5.16	24.125	8.69	12.97	16.55	697
	NPS	9	7.16	29.125	10.38	15.58	19.10	1547
	NPS	11	11.03	33.125	12.13	17.41	21.74	1846
NPS	13-5/8	13.66	38.125	13.88	19.47	23.80	2593	



Buy Parker and Swagelok alternative 3000 psi ball valve at factory price in India.
3000 Psi Ball Valve Price In India :

Product	Price per Each
1/4" 2-Pc Full Port Cs 3000# Ball Valve Female Npt	\$56.34
3/8" 2-Pc Full Port Cs 3000# Ball Valve Female Npt	\$56.34
1/2" 2-Pc Full Port Cs 3000# Ball Valve Female Npt	\$59.61
3/4" 2-Pc Full Port Cs 3000# Ball Valve Female Npt	\$79.41
1" 2-Pc Full Port Cs 3000# Ball Valve Female Npt	\$123.91
1-1/4" 2-Pc Full Port Cs 3000# Ball Valve Female Npt	\$172.39
1-1/2" 2-Pc Full Port Cs 3000# Ball Valve Female Npt	\$249.48
2" 2-Pc Standard Port Cs 3000# Ball Valve Female Npt	\$285.17

3000 PSI Ball Valve Dimensions :



Dimensions:

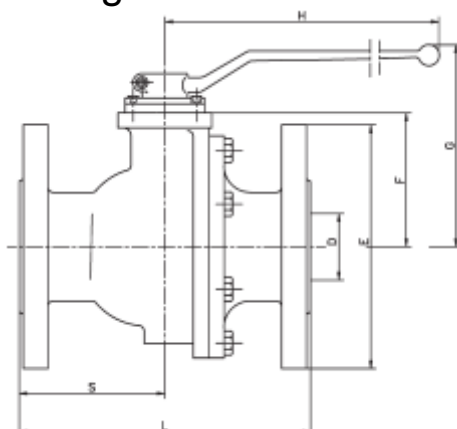
Part #	PSI	Size (inches)	D (Ø)	L	H	W
VBC6K-025	6,000	1/4"	0.23	2.99	2.20	4.92
VBC6K-038	6,000	3/8"	0.32	2.99	2.20	4.92
VBC6K-050	6,000	1/2"	0.51	4.02	2.20	4.72
VBC6K-075	6,000	3/4"	0.75	4.25	2.72	6.30
VBC6K-100	6,000	1"	0.99	4.53	3.50	7.95
VBC6K-150	6,000	1 1/2"	1.50	5.24	4.49	9.06
VBC6K-200	6,000	2"	1.89	6.06	4.72	10.24



3,000 PSI WP Floating Ball Valve Sizes :

	Bore Size	Flange Class	Bore Size Diameter	2 Piece Design		3 Piece Design		Standard	
				Operation	Face-to-Face Length ⁽³⁾	Operation	Face-to-Face Length ⁽³⁾	Seat Material ⁽⁴⁾	Ball Material
Floating Ball	1"	150	1" 25 mm	Lever	MS	Lever	MS	PTFE	Duplex
		300			ASME B16.10 ⁽²⁾				
		600							
		900 / 1,500 ⁽¹⁾							
		2,500							
	1 1/2"	150	1 1/2" 38 mm	Lever	MS	Lever	MS	PTFE	Duplex
		300			ASME B16.10 ⁽²⁾				
		600							
		900 / 1,500 ⁽¹⁾							
		2,500							
	2"	150	2" 50 mm	Lever	MS	Lever	MS	PTFE	Duplex
		300		ASME B16.10	Gearbox				
		600							
		900 / 1,500 ⁽¹⁾							
		2,500							

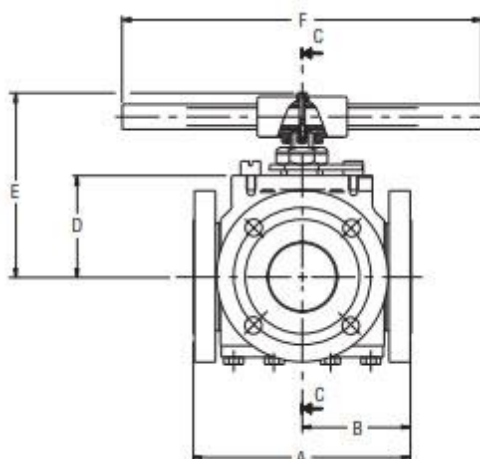
3,000 PSI Full Bore - Floating & Guided Ball Valve Dimensions :



NPS	Class 150 & 300										Class 600						Gearbox					
	D	L		E		F	G	H	S		ISO 5211	L	E	F	G	H	S	ISO 5211	J	M	N	K
		150	300	150	300				150	300												
1/2"	15	108	140	89	95	52	105	185	47	64	F05s	165	95	61	112	185	68	F05	-	-	-	-
3/4"	20	117	152	99	118	54	107	185	52	76	F05s	190	120	61	112	185	84	F05	-	-	-	-
1"	25	127	165	108	124	60	113	185	56	70	F05	216	125	61	112	185	96	F05	-	-	-	-
1 1/2"	40	165	191	127	156	75	145	300	77	78	F07	241	456	76	130	300	115	F07	-	-	-	-
2"	50	178	216	152	165	84	153	300	92	90	F07	292	165	83	137	300	129	F07	-	-	-	-
2 1/2"	65	190	241	178	190	96	166	300	95	120	F07	330	190	96	150	300	152	F07	-	-	-	-
3"	80	203	283	191	210	114	205	355	101	142	F10	-	-	-	-	-	-	-	-	-	-	-
4"	100	229	305	229	254	128	220	355	114	152	F10	-	-	-	-	-	-	-	-	-	-	-
6"	150	394	403	279	318	175	284	680	165	211	F12	-	-	-	-	-	-	-	295	287	71	400
8"	200	457	502	343	381	245	362	750	228	251	F14	-	-	-	-	-	-	-	377	305	86	500
10"	250	533	568	406	445	285	-	-	270	283	F14	-	-	-	-	-	-	-	417	305	86	500
12"	300	610	648	483	521	336	-	-	305	324	F14	-	-	-	-	-	-	-	474	346	104	500



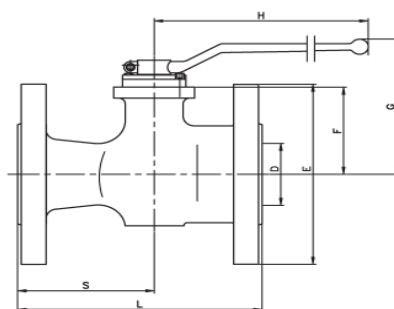
3000 PSI 3 Way Ball Valve Dimensions :



inches / millimeters

Valve size	A		B		C		D	E	F	G	H	J	K	L	Port Dia.	M	N
	ANSI Class 150	ANSI Class 300	ANSI Class 150	ANSI Class 300	ANSI Class 150	ANSI Class 300											
1"	5.00	6.50	2.50	3.25	2.95	3.25	1.72	4.91	9.53	0.343	0.56	1/4-20	1.39	1.39	0.95	2.85	.59
	127	165	63.5	82.6	74.9	82.6	43.7	125	242	8.7	14.2		35.3	35.3	24.1	72.4	15.0
1½"	6.50	7.50	3.25	3.75	3.25	4.13	2.72	5.97	10.00	0.551	0.79	M8	2.75	1.25	1.46	4.36	.73
	165	191	82.6	95.3	82.6	105	69.1	152	254	14.0	20.1		69.9	31.8	37.1	111	18.5
2"	8.00	8.50	4.00	4.25	4.00	4.25	3.08	6.33	10.00	0.551	0.79	M8	2.75	1.25	1.93	5.31	.73
	203	216	102	108	102	108	78.2	161	254	14.0	20.1		69.9	31.8	49.0	135	18.5
3"	9.50	11.14	4.75	5.57	4.75	5.57	4.44	7.87	24.00	0.745	0.88	M10	3.38	1.75	2.95	6.28	.65
	241	283	121	142	121	142	113	190	610	18.9	22.4		85.9	44.5	74.9	160	16.5
4"	12.00	12.00	6.00	6.00	6.00	6.89	5.91	10.83	28.5	1.120	1.39	M12	4.00	3.00	3.86	8.58	1.03
	305	305	152	153	152	175	150	275	724	28.4	35.3		102	76.2	98.0	218	26.2
6"	15.50	15.88	7.75	7.94	7.75	7.94	7.36	12.28	28.50	1.120	1.39	M12	4.00	3.00	5.83	10.03	1.03
	394	403	197	202	197	202	187	312	724	28.4	35.3		102	76.2	148	255	26.2

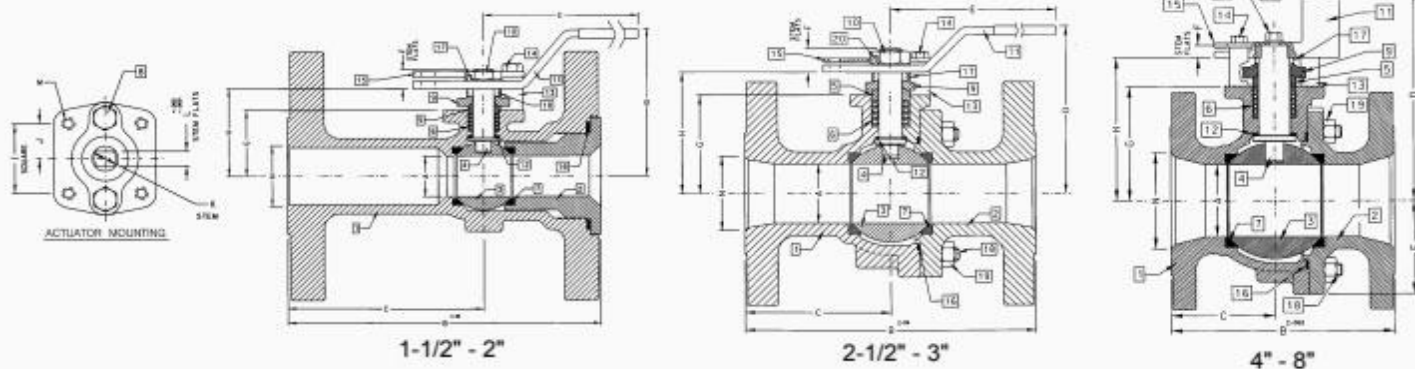
3000 Psi Reduced Bore Ball Valve Dimensions :



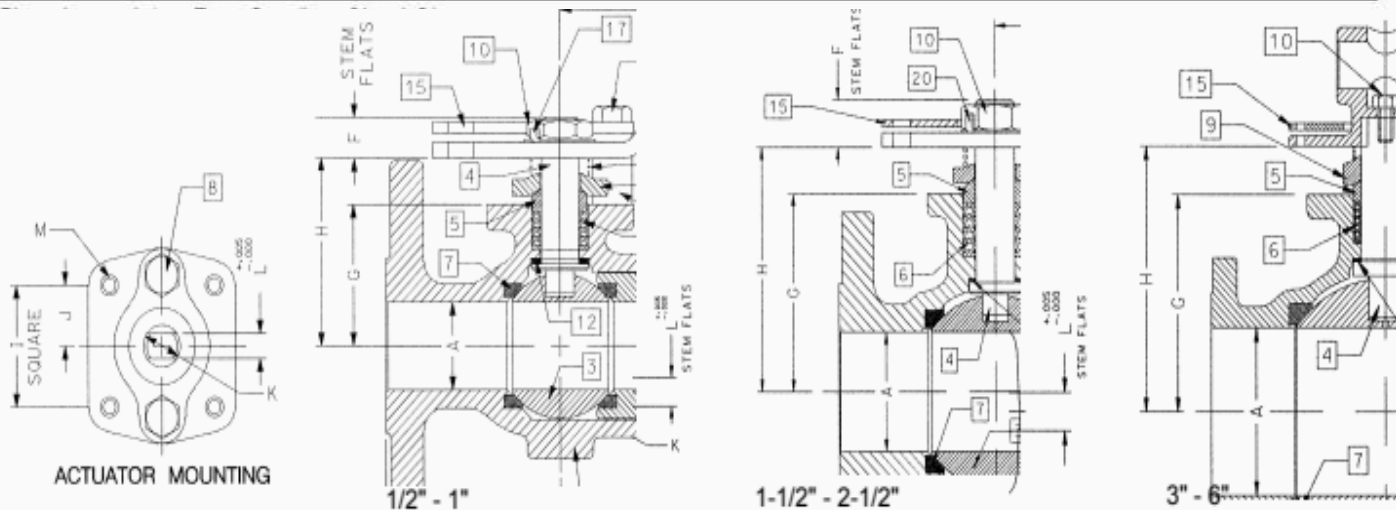
NPS	D	L		E		F	G	H	S		ISO 5211	G. box				Weight (kg)		
		150	300	150	300				150	300		J	M	N	K	150	300	G.box
1/2" x 1/4"	10	108	-	89	-	43	91	185	61	-	F05s	-	-	-	-	2	2,5	-
3/4" x 1/2"	15	117	152	99	118	46	94	185	57	92	F05s	-	-	-	-	2,5	3,6	-
1" x 3/4"	20	127	165	108	124	54	102	185	72	104	F05s	-	-	-	-	3,5	4,8	-
1 1/2" x 1"	32	165	191	127	156	65	118	185	93	118	F05	-	-	-	-	5,5	9	-
2" x 1 1/2"	40	178	216	152	165	75	145	300	108	146	F07	-	-	-	-	9	12	-
3" x 2"	65	203	283	191	210	96	166	300	123	203	F07	-	-	-	-	17	25	-
4" x 3"	80	229	305	229	254	114	205	355	137	203	F10	-	-	-	-	25	39	-
6" x 4"	100	267	403	279	318	148	257	680	147	283	F12	-	-	-	-	46	75	-
8" x 6"	144	292	419	343	381	172	281	680	157	284	F12	-	-	-	-	80	118	-
10" x 8"	187	330	-	406	-	237	-	-	170	-	F14	369	305	86	500	124	-	20
12" x 10"	235	356	-	483	-	266	-	-	178	-	F14	398	305	86	500	196	-	20



3000# Full Port Flange Ball Valve Dimensions:



DIMENSIONS Standard Port																
Part No.*	Size (In.)	A	B	C	D	E	F	G	H	I	J	K	L	M	N	WT.
87A/88A-107	1-1/2	1.25	6.50	3.69	3.62	6.03	0.47	1.62	2.15	1.392	0.696	0.50	0.287	1/4-20	1.50	09.0
87A/88A-108	2	1.50	7.00	3.69	4.62	6.65	0.72	2.41	3.09	1.949	0.974	0.62	0.412	5/16-18	2.00	18.0
87A/88A-109	2-1/2	2.00	7.50	3.50	5.61	8.40	0.80	3.31	4.08	1.949	0.974	0.75	0.477	5/16-18	2.50	27.0
87A/88A-100	3	2.50	8.00	3.51	6.23	8.40	0.80	3.93	4.70	1.949	0.974	0.75	0.477	5/16-18	3.00	34.0
87A/88A-10A	4	3.00	9.00	4.18	8.80	3.88	0.50	4.75	5.95	2.840	1.420	1.25	0.725	3/8-16	4.00	73.0
87A/88A-10C	6	4.00	10.50	4.69	9.99	5.13	5.50	5.94	7.13	2.840	1.420	1.25	0.725	3/8-16	6.00	117.0
87A/88A-10E	8	6.00	18.00	9.00	13.73	7.00	1.00	7.75	9.48	4.596	2.298	2.00	1.375	3/4-10	8.00	310.0



DIMENSIONS Full Port																
Part No.*	Size (In.)	A	B	C	D	E	F	G	H	I	J	K	L	M	WT.	
87A/88A-203	1/2	0.50	4.25	2.06	3.28	5.14	0.30	1.09	1.38	1.002	0.501	0.37	0.245	10-24	5.0	
87A/88A-204	3/4	0.75	4.62	2.18	3.89	5.56	0.39	1.65	1.96	1.392	0.696	0.50	0.287	1/4-20	6.0	
87A/88A-205	1	1.00	5.00	2.32	3.62	6.03	0.47	1.62	2.15	1.392	0.696	0.50	0.287	1/4-20	7.0	
87A/88A-207	1-1/2	1.50	6.50	3.00	4.62	6.65	0.72	2.41	3.09	1.949	0.974	0.62	0.412	5/16-18	14.0	
87A/88A-208	2	2.00	7.00	3.04	5.61	8.40	0.80	3.31	4.08	1.949	0.974	0.75	0.477	5/16-18	25.0	
87A/88A-209	2-1/2	2.50	7.50	3.34	6.23	8.40	0.80	3.93	4.70	1.949	0.974	0.75	0.477	5/16-18	30.0	
87A/88A-200	3	3.00	8.00	3.68	8.80	3.88	0.50	4.75	5.95	2.840	1.420	1.25	0.725	3/8-16	60.0	
87A/88A-20A	4	4.00	9.00	3.94	9.99	5.13	0.50	5.94	7.13	2.840	1.420	1.25	0.725	3/8-16	91.0	



3000 PSI 3 Way Ball Valve Dimensions :

Size (INCH)	1"	1-1/2"	2"	2-1/2"	3"	4"	5"	6"	8"	10"	12"
Size (DN)	25	40	50	65	80	100	125	150	200	250	300
F to F	165	215	245	263	284	336	400	450	600	730	880
Flange O.D.	108	127	152.4	177.8	190.5	228.6	254	279	343	406	483
Flange PCD	79.3	98.4	120.6	139.7	152.4	190.5	215.9	241.3	298.4	362	431.8
R.F. Dia.	50.8	73	92.1	104.7	127	157.2	185.6	215.9	269.9	323.8	381
No. of Hole	04	04	04	04	04	08	08	08	08	12	12
Hole Dia.	15.8	15.8	15.8	19	19	19	19	22.2	22.2	25.4	25.4



3000PSI Stainless Steel Ball Valve



3000PSI Hydraulic Ball Valve



3000PSI CWP Manual Ball Valves



3,000PSI WP Floating Ball Valves



Multi-Port 3000PSI Ball Valve



3000PSI 3-Way Ball Valve



3000PSI 4-Way Ball Valve



3000PSI 3 Piece Ball Valve